

## BEFORE YOU BEGIN

Please read all instructions carefully before you begin. Improper installation will void the warranty. Check planks for defects such as colour, gloss level difference or chips prior to installation. Check that the channel is clean and free of debris. Defective planks should not be used.

The maximum room/run size is 15mts x 15mts. Decorative expansion joint cover strips should be used in rooms greater than 225m<sup>2</sup> or 15mts in length or in doorways of adjoining rooms.

When using planks from more than one package, check the colours and patterns match before you begin. During installation, mix and match panels from each box throughout the floor. Always mix planks from at least 4 packs at any one time.

Remove skirting boards if possible. If they are difficult to remove, they may be left in place. Quarter round molding is recommended to cover the space between flooring and skirting boards.

## FLOOR PREPARATION

In order to have a successful installation, all floor surfaces must be clean, dry, solid, even and level.

All sub-floors must meet the minimum requirements as defined in Australian Standards AS1884-2021.

**IMPORTANT:** Uneven sub-floors can weaken the end joints/locking system. Any isolated highpoints/ridges should be removed in order to avoid damage and void the warranty. Floors should be level to a maximum variation of 4mm over 2 mts.

- Moisture content: concrete slabs should be checked prior to the installation commencing and should comply to AS1884-2021.
- Tiles/ceramics: must be smooth and level. Grout lines should be filled with UZIN NC888 or equivalent.
- Timber floors: should be firm with no loose boards or sheets, structurally sound, joints should be sanded.
- Vinyl/cork floors: should be fixed solid.
- Carpets/underlay/existing floating floors: should be removed before installation.

## ACCLIMATISATION

- The environment where Aragon Builders Select flooring is to be installed is critically important with regard to successful installation and continued performance of the flooring products. Aragon Builders Select is intended to be installed in interior locations only. These interior locations must meet climatic and structural requirements as well.
- In most cases, this product does not need to be acclimated. However, if the boxes of flooring were exposed over 2 hours to extreme temperatures under 15°C or over 35°C within the 12 hours before the installation, acclimation is required. In this case, keep the boards in room temperature for at least 12 hours in unopened package before you start the installation. The room temperature must be maintained consistent between 15-30°C before and during the installation.
- Flooring should only be installed in temperature-controlled environments. It is necessary to maintain a constant temperature of 15-30°C before and during the installation. Portable heaters are not recommended as they may not heat the room and subfloor sufficiently.
- After installation, make sure that the flooring is not exposed to temperatures less than 10°C or greater than 40°C.
- When installing in areas that are exposed to temperatures over 40°C and to significant temperature fluctuations the expansion joint should be increased to 10mm to secure the installation on the entire periphery and from all fixtures in the room.
- Do not install kitchen cabinets / bars / built in furniture / pool tables directly over your Aragon Builders Select floor. Aragon Builders Select quality is assured as long as the floor can move freely.

## **BASIC INSTALLATION**

Install 200 micron minimum thickness black builders plastic over concrete slab and tape the seams with an appropriate moisture resistant tape.

The width of the first row of planks should be approximately the same width as the last row. Measure across the room and divide by the width of the plank to see how many full width planks will be used and what size width will be needed for the last row. If desired, cut the first row plank to a shorter width to make it more symmetrical to the last row.

After thoroughly cleaning the subfloor, you should begin laying from left to right. Place the floorboard 8mm from the left wall. Use spacers between the wall and the floorboard.

Insert the end section of the next floorboard at an angle to the first one, then lay down. Complete the first row in the same manner.

At the end of the first row, leave an expansion gap of 8mm to the wall and measure the length of the last plank to fit.

To cut the plank, use a simple utility knife and ruler, and with the top side facing up, cut heavily and several times on the same axis. The knife will not go through the surface but make a deep cut. You can then lift one half of the plank using your other hand to hold down the second placing it very close to the cut. The plank will split naturally.

Start the second row with the leftover cut part of the last plank of the previous row. This small plank should measure at least 30cm. Otherwise, use another plank that should be cut in two. The end joints of each adjoining row should not be closer than 20cm to each other.

Lock the short end of the floorboard by inserting the tongue into the groove at an angle and dropping it into place.

**IMPORTANT:** Make sure it is tightly locked with no gap. Then slide the floorboard towards the previously installed row until the tongue just touches the groove.

Lift both the current as well as the previous plank from this row. Position the board so that the long side of the board is close to the boards in the previous row and overlapping the groove of the boards in the previous row.

Angle up and push forwards until the boards lock together. Install the next planks as per instructions for the second row.

After finishing installation of the row, use scrap pieces and a small hammer or rubber mallet to gently tap the planks into the channel of the previous row to make sure they are tightly clicked together and make sure there is no gap between the long side of the planks installed.

**ANY GAPPING CAN COMPROMISE THE WHOLE INSTALLATION.**

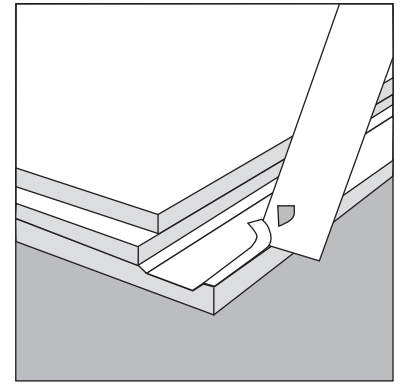
After 2-3 rows, adjust the distance to the front wall by leaving an expansion gap of 8mm. Always ensure that the end joints are staggered at least 20cm.

To lay the last row, position a loose board exactly on top of the last row laid. Place another board on top, with the tongue side touching the wall. Draw a line along the edge of this board to mark the first board. Cut along the edge of this line to obtain the required width. Insert this cut board against the wall. The last row should be at least 50mm wide. The spacers can then be removed.

**INSTALLATION TIP:** Start from the left and work toward the right.



**UNDER DOOR FRAMES:** If you cannot angle the plank under e.g. an undercut doorframe, you can do as shown in the diagram: cut away the locking edge lip and apply PVC-COLD-WELDING LIQUID (e.g. Werner Muller Type A). Now slide the adjoining plank into position.



## **CARE & MAINTENANCE**

Hybrid Stone Flooring is designed to stand up to the toughest household conditions. To keep it looking its best, follow these simple instructions for care and maintenance.

### **ROUTINE MAINTENANCE**

Use a damp cloth to soak up and clean spills as soon as they happen. Never allow liquids to remain on your floor.

To clean tough spots such as oil, paint, marker, lipstick, ink or tar, use acetone/nail polish remover on a clean white cloth. When finished, wipe the area with a damp cloth to remove any remaining residue.

For spots such as candle wax or chewing gum, harden the spot with ice and then gently scrape with a nylon or plastic scraper - a credit card works well. Be careful not to scratch the flooring surface. When finished, wipe the area with a damp cloth to remove any remaining residue.

Regularly sweep, dust, or vacuum the floor to prevent accumulation of dirt and grit that can scratch or dull the floor surface. When vacuuming, use the hard floor setting. Sandy areas, such as beach homes, may require more frequent cleaning.

Your Hybrid Stone Flooring can be cleaned with a damp mop as needed. Use mild soap or detergent if necessary.

Do not use steel wool, abrasive or chlorinated cleaners or any other harsh chemicals.

Do not use any type of buffing or polishing machine.

### **FLOOR PROTECTION**

To keep your floor looking its best, use entry mats to help collect dirt, sand, grit and other substances that might otherwise be tracked onto your floor.

Do not slide heavy objects across the floor.

To minimise the chance of indentations and scratches from heavy objects, use floor protectors and wide, load-bearing leg bases or rollers. A protective mat should be used under furniture or chairs with castors/wheels. Heavy objects exceeding 200kg should not be placed on this floating floor.